



Relay



ISO9001、ISO14001 Certification

Enterprises Main Feature

1. Small size (15.5x12.1x13.8 in mm) produces a switching capacity up to 20A for high density P.C.Board mounting technique.
2. The contact form construction is 1A/1B/1C
3. The Surge Resistance of T78 series is 10,000V
4. Sealing Construction (Free from dust and solder flux): SCH-T78: Plastic Sealed Type.
5. The selection of plastic insulation material is designed for high temperature and provides better chemical solution performance.
6. RoHS Compliant.

Application

Air Conditioning, Fridge, Washing Machine, etc Household Appliances

Contact Rating

- Nominal Load(Resistive Load $\cos \phi = 1$)
Contact Capacity
SCH-T78-1A/1B/1C.....5A at 250VAC
7A at 125VAC
20A at 14VDC
- Max. Allowable Current
T78-1A/1B/1C.....20A
- Max. Allowable Voltage
T78-1A/1B/1C.....AC250V DC14V
- Max. Allowable Power Force
T78-1A/1B/1C.....1250VAC 280W
- Contact Material.....Ag Alloy
- Contact Form.....SPDT&SPST

Performance (at Initial Value)

- Contact Resistance..... $\leq 100m \Omega$ at 6VDC/1A
- Operate Time.....ms. Max
- Release Time.....ms. Max
- Dielectric Strength:
Between Coil & Contact.....750VAC at 50/60 Hz
for one minute
Between Contacts.....750VAC at 50/60 Hz
for one minute
- Surge Resistance.....10,000V (between Coil
& Contact 1.2x50 μs)

- Insulation Resistance.....1,000 Mega Ω Min. at
500VDC
- Max. On/Off Switching:
Electrical.....30 Ops per minute
Mechanical.....300 Ops per minute
- Temperature Range.....40~85 $^{\circ}C$
- Humidity Range.....5%~85% RH
- Coil Temperature Rise.....35 $^{\circ}C$ Maximum
- Vibration:
Endurance.....10 to 55 Hz dual
amplitude width 1.5mm
Error Operation.....10 to 55 Hz dual
amplitude width 1.5mm
- Shock:
Endurance.....981m/s² Min
Error Operation.....98.1m/s² Min
- Life Expectancy:
Electrical.....10⁵ Operations at
Rated Resistive
load
Mechanical.....10⁷ Operations at
No load condition
- Weight.....about 6g



ISO9001、ISO14001 Certification Enterprises

Coil Specification (at 20 °C)

Coil Sensitivity	Nominal Voltage (VDC)	Nominal Current (mA)	Coil Resistance ($\Omega \pm 10\%$)	Power Consumption (W)	Pull-In Voltage (VDC)	Drop-Out Voltage (VDC)	Maximum Allowable Voltage (VDC)
SCH-T78	3	200	15	Abt. 0.6	75% Maximum	10% Minimum	130%
	5	119	42				
	6	100	60				
	9	66.7	135				
	12	50	240				
	24	25	960				
	48	12.5	3840				

Ordering Information

SCH - T78 - 1C - 12 S

Coil Type: Blan:0.6W Standard DC Coil
Seal Type: S

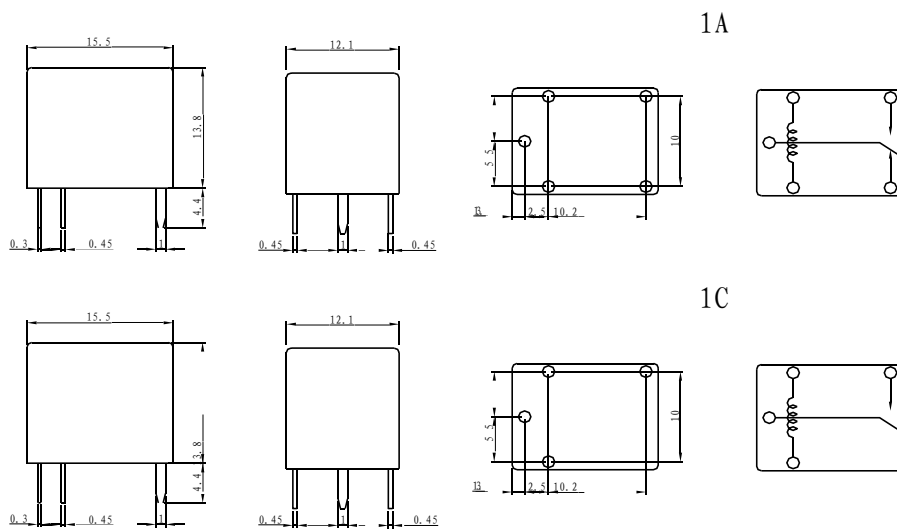
Coil Voltage:3:3V,5:5V,6:6V,9:9V12:12V,24:24V ,48:48V

Number of Pole: 1A:One Group NO, 1B:One Group NC,1C:One Group NC/NO

Model:T78

Generic Terms: SCH

Dimension



(Dimension Tolerance) : <1mm: $\pm 0.2\text{mm}$
 1--5mm: $\pm 0.3\text{mm}$
 >5mm: $\pm 0.5\text{mm}$