



Relay

ISO9001、ISO14001 Certification Enterprises



Main Feature

1. Small size (19x15.4x15 in mm) produces a switching capacity up to 15A for high density P.C.Board mounting technique.
2. The contact form construction is 1A/1B/1C
3. The Surge Resistance of T73 series is 3,000V
4. Sealing Construction (Free from dust and solder flux): SCH-T73: Plastic Sealed Type.
5. The selection of plastic insulation material is designed for high temperature and provides better chemical solution performance.
6. RoHS Compliant.

Application

Air Conditioning, Fridge, Washing Machine, etc Household Appliances

Contact Rating

Nominal Load(Resistive Load Cosφ=1)	
Contact Capacity	
SCH-T73.....	10A at 250VAC 15A at 125VAC
Max. Allowable Current	
SCH-T73.....	15A
Max. Allowable Voltage	
SCH-T73.....	AC250V
Max. Allowable Power Force	
SCH-T73.....	3,000VA
Contact Material.....	Ag Alloy
Contact Form.....	SPDT & SPST

Performance (at Initial Value)

Contact Resistance.....	≤100mΩ at 6VDC/1A
Operate Time.....	ms. Max
Release Time.....	ms. Max
Dielectric Strength:	
Between Coil & Contact.....	1,500VAC at 50/60 Hz for one minute
Between Contacts.....	1,000VAC at 50/60 Hz for one minute
Surge Resistance.....	3,000V (between Coil &Contact 1.2x50 μs)
Insulation Resistance.....	1,000 MegaΩMin. at 500VDC

Max. On/Off Switching:

Electrical.....	30 Ops per minute
Mechanical.....	300 Ops per minute
Temperature Range.....	40~105°C
Humidity Range.....	5%~85% RH
Coil Temperature Rise.....	35°C Maximum
Vibration:	
Endurance.....	10 to 55 Hz dual amplitude width 1.5mm
Error Operation.....	10 to 55 Hz dual amplitude width 1.5mm
Shock:	
Endurance... ..	981m/s ² Min
Error Operation... ..	98.1m/s ² Min
Life Expectancy: Electrical... ..	10 ⁷ Operations at Rated Resistive load
Mechanical	10 ⁷ Operations at No load condition
Weight.....	about 9g

Safety Standard & Its File Number

UL.....	E476824
TUV.....	R50435941
CQC.....	CQC18002196833



Relay

Coil Specification (at 20 °C)

Coil Sensitivity	Nominal Voltage (VDC)	Nominal Current (mA)	Coil Resistance ($\Omega \pm 10\%$)	Power Consumption (W)	Pull-In Voltage (VDC)	Drop-Out Voltage (VDC)	Maximum Allowable Voltage (VDC)
SCH-T73	3	120	25	Abt. 0.36	75% Maximum	10% Minimum	130%
	5	71.4	70				
	6	60	100				
	9	40	225				
	12	30	400				
	24	15	1,600				
	48	7.5	6,400				

Ordering Information

SCH - T73 - 1C - 12 S

Seal type: S

Coil Type: Blan:0.36W Standard DC Coil

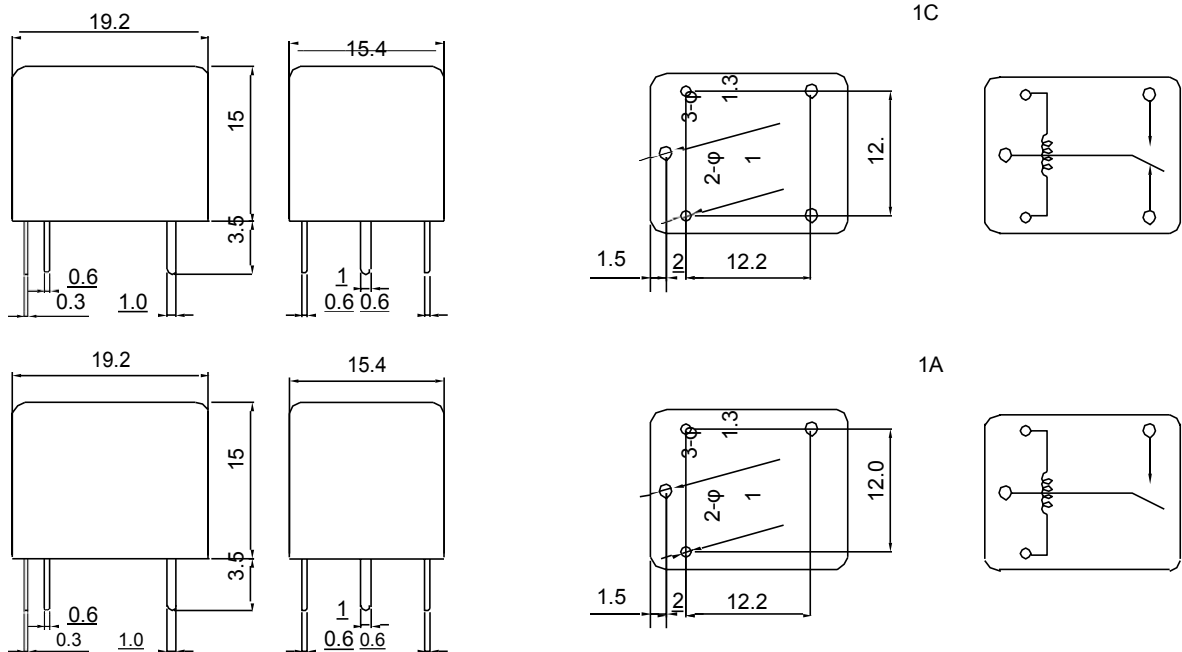
Coil Voltage: 3:3V,5:5V,6:6V,9:9V,12:12V,24:24V ,48:48V

Number of Pole: 1A:One Group NO, 1B:One Group NC,1C:One Group NC/NO

Model: T73

Generic Terms: SCH

Dimension



(Dimension Tolerance) :

- <1mm: $\pm 0.2\text{mm}$
- 1--5mm: $\pm 0.3\text{mm}$
- >5mm: $\pm 0.5\text{mm}$