

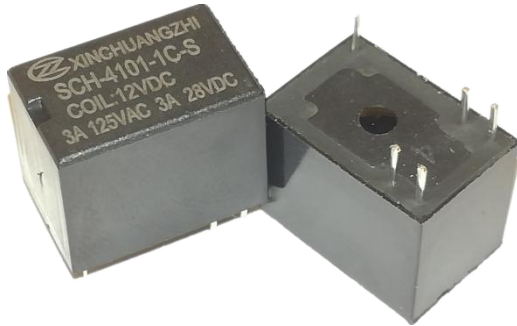


Relay

ISO9001、ISO14001 Certification Enterprises

Main Feature

1. Small size (15.5x10.5x11.2 in mm) produces a switching capacity up to 3A for high density P.C.Board mounting technique.
2. The contact form construction is 1C
3. The Surge Resistance of 4101 series is 1,500V
4. Sealing Construction (Free from dust and solder flux):
SCH-4101: Plastic Sealed Type.
5. The selection of plastic insulation material is designed for high temperature and provides better chemical solution performance.
6. RoHS Compliant.



Application

Air Conditioning, Fridge, Washing Machine, etc Household Appliances

Contact Rating

- Nominal Load(Resistive Load Cos ϕ =1)
Contact Capacity
SCH-4101..... 3A at 125VAC
3A at 24VAC
- Max. Allowable Current
SCH-4101.....3A
- Max. Allowable Voltage
SCH-4101.....AC125V,DC24V
- Max. Allowable Power Force
SCH-4101..... .125VA 24W
- Contact Material.....Ag Alloy
Contact Form..... SPDT

Performance (at Initial Value)

- Contact Resistance..... $\leq 100m\Omega$ at 6VDC/1A
- Operate Time.....ms. Max
- Release Time..... ms. Max
- Dielectric Strength:
Between Coil & Contact.....1,000VAC at 50/60 Hz
for one minute
Between Contacts.....500VAC at 50/60 Hz
for one minute
- Surge Resistance.....1,500V (between Coil
& Contact 1.2x50 μ s)

- Insulation Resistance.....1,000 Mega Ω Min. at
500VDC
- Max. On/Off Switching:
Electrical.....30 Ops per minute
Mechanical.....300 Ops per minute
- Temperature Range.....30~70 $^{\circ}$ C
- Humidity Range.....5%~85% RH
- Coil Temperature Rise..... 35 $^{\circ}$ C Maximum
- Vibration:
Endurance.....10 to 55 Hz dual
amplitude width 1.5mm
Error Operation..... 10 to 55 Hz dual
amplitude width 1.5mm
- Shock:
Endurance.....981m/s² Min
Error Operation..... 98.1m/s² Min
- Life Expectancy:
Electrical..... 10⁵ Operations at
Rated Resistive
load
Mechanical..... 10⁷ Operations at
No load condition
- Weight.....about 3.5g

Safety Standard & Its File Number

Pending



Relay

ISO9001、ISO14001 Certification Enterprises

Coil Specification (at 20 °C)

Coil Sensitivity	Nominal Voltage (VDC)	Nominal Current (mA)	Coil Resistance ($\Omega \pm 8\%$)	Power Consumption (W)	Pull-In Voltage (VDC)	Drop-Out Voltage (VDC)	Maximum Allowable Voltage (VDC)
SCH-4101	3	66.7	45	Abt. 0.2	75% Maximum	10% Minimum	130%
	5	40	125				
	6	33.7	180				
	9	22.2	405				
	12	16.7	720				
	24	8.3	2880				

Ordering Information

SCH - 4101 - 1C - S 12VDC Coil Voltage:5:5V,6:6V,9:9V12:12V,24:24V

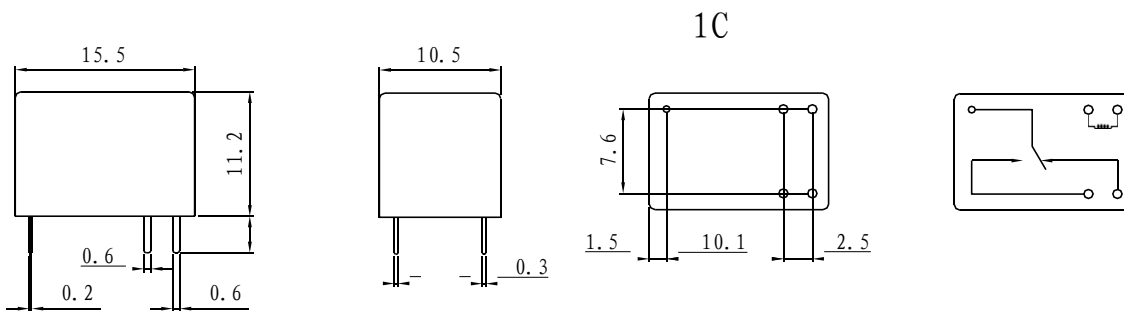
Seal type: S

Number of Pole: 1:One Group NO/NC

Model:4101

Generic Terms: SCH

Dimension



(Dimension Tolerance) : < 1mm: ± 0.2 mm
 1--5mm: ± 0.3 mm
 > 5mm: ± 0.5 mm