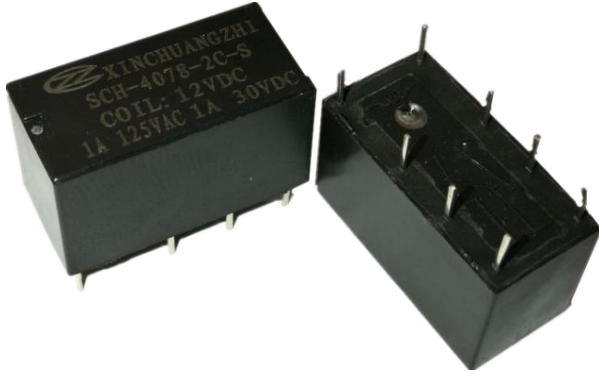




Relay



Contact Rating

- Nominal Load(Resistive Load $\cos \phi = 1$)
Contact Capacity
SCH-4078..... 1A at 125VAC
1A at 30VAC
- Max. Allowable Current
SCH-4078..... 1A
- Max. Allowable Voltage
SCH-4078..... AC125V,DC30V
- Max. Allowable Power Force
SCH-4078 125VA 30W
- Contact Material.....Ag Alloy
- Contact Form..... DPDT

Performance (at Initial Value)

- Contact Resistance..... $\leq 100m\Omega$ at 6VDC/1A
- Operate Time.....ms. Max
- Release Time..... ms. Max
- Dielectric Strength:
Between Coil & Contact.....1,000VAC at 50/60 Hz
for one minute
Between Contacts.....750VAC at 50/60 Hz
for one minute
- Surge Resistance..... 10,000V (between Coil
& Contact 1.2x50 μ s)

ISO9001、ISO14001 Certification Enterprises

Main Feature

1. Small size (20.1x10x12 in mm) produces a switching capacity up to 1A for high density P.C.Board mounting technique.
2. The contact form construction is 2C
3. The Surge Resistance of 4078 series is 10,000V
4. Sealing Construction (Free from dust and solder flux):
SCH-4078: Plastic Sealed Type.
5. The selection of plastic insulation material is designed for high temperature and provides better chemical solution performance.
6. RoHS Compliant.

Application

Air Conditioning, Fridge, Washing Machine, etc Household Appliances

- Insulation Resistance..... 500 Mega Ω Min.at
500VDC
- Max. On/Off Switching:
Electrical.....30 Ops per minute
Mechanical.....300 Ops per minute
- Temperature Range..... 30~70°C
- Humidity Range.....5%~85% RH
- Coil Temperature Rise..... 35°C Maximum
- Vibration:
Endurance..... 10 to 55 Hz dual
amplitude width 1.5mm
Error Operation..... 10 to 55 Hz dual
amplitude width 1.5mm
- Shock:
Endurance..... 981m/s² Min
Error Operation..... 98.1m/s² Min
- Life Expectancy:
Electrical..... 10⁵ Operations at
Rated Resistive
load
Mechanical..... 10⁷ Operations at
No load condition
- Weight.....about 5.5g



Relay

ISO9001、ISO14001 Certification Enterprises

Coil Specification (at 20 °C)

Coil Sensitivity	Nominal Voltage (VDC)	Nominal Current (mA)	Coil Resistance ($\Omega \pm 8\%$)	Power Consumption (W)	Pull-In Voltage (VDC)	Drop-Out Voltage (VDC)	Maximum Allowable Voltage (VDC)
4078-2C	3	66.7	45	Abt. 0.2	75% Maximum	10% Minimum	130%
	5	40	125				
	6	33.7	180				
	9	22.2	405				
	12	16.7	720				
	24	8.3	2880				

Ordering Information

SCH - 4078 - 2C - S - 12VDC

Coil Voltage: 3:3V, 5:5V, 6:6V, 9:9V, 12:12V, 24:24V

Coil Type: Blank :0.2W DC Coil

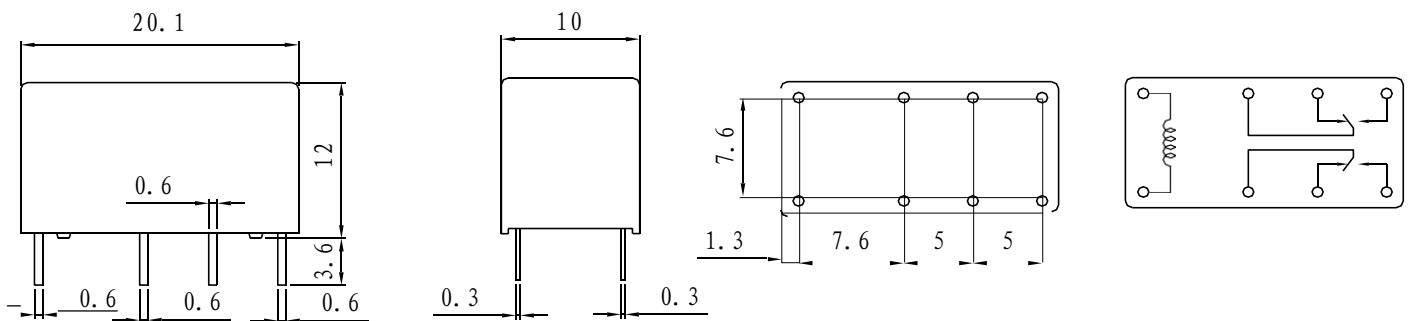
Seal type: S

Number of Pole: ,2C:Two Group NC/NO

Model:4078

Generic Terms: SCH

Dimension



(Dimension Tolerance) : < 1mm: $\pm 0.2\text{mm}$
 1--5mm: $\pm 0.3\text{mm}$
 > 5mm: $\pm 0.5\text{mm}$