



Relay



Contact Rating

- Nominal Load(Resistive Load $\cos \phi = 1$)
Contact Capacity
SCH-14FD-2A/2C.....5A at 250VAC
5A at 30VDC
- Max. Allowable Current
SCH-14FD-2A/2C.....5A
- Max. Allowable Voltage
SCH-14FD-2A/2C..... AC250V DC30V
- Max. Allowable Power Force
SCH-14FD-2A/2C 1,250VA 150W
- Contact Material.....Ag Alloy
- Contact FormDPDT & DPST

Performance (at Initial Value)

- Contact Resistance $\leq 100m\Omega$ at 6VDC/1A
- Operate Time.....ms. Max
- Release Time.....ms. Max
- Dielectric Strength:
Between Coil & Contact... 5,000VAC at 50/60 Hz
for one minute
Between Contacts1,000VAC at 50/60 Hz
for one minute
- Surge Resistance.....10,000V (between Coil
& Contact 1.2x50 μs)
- Insulation Resistance..... 1,000 Mega Ω Min. at
500VDC

ISO9001、ISO14001 Certification Enterprises

Main Feature

1. Small size (29.3x12.8x20.4 in mm) produces a switching capacity up to 5A for high density P.C.Board mounting technique.
2. The contact form construction is 2A/2B/2C
3. The Surge Resistance of 14FD series is 10,000V
4. Sealing Construction (Free from dust and solder flux):
SCH-14FD: Plastic Sealed Type.
5. The selection of plastic insulation material is designed for high temperature and provides better chemical solution performance.
6. RoHS Compliant.

Application

Air Conditioning, Fridge, Washing Machine, etc Household Appliances

- Max. On/Off Switching:
Electrical.....30 Ops per minute
Mechanical... 300 Ops per minute
- Temperature Range... 40~85°C
- Humidity Range... 5%~85% RH
- Coil Temperature Rise..... 35°C Maximum
- Vibration:
Endurance... 10 to 55 Hz dual
amplitude width 1.5mm
Error Operation..... 10 to 55 Hz dual
amplitude width 1.5mm
- Shock:
Endurance...981m/s² Min
Error Operation...98.1m/s² Min
- Life Expectancy:
Electrical... 10⁵ Operations at
Rated Resistive
load
Mechanical... 10⁷ Operations at
No load condition
- Weight.....about 13g

Safety Standard & Its File Number

- UL..... Pending
- TUV..... R50360206
- CQC..... Pending



Relay

ISO9001、ISO14001 Certification Enterprises

Coil Specification (at 20 °C)

Coil Sensitivity	Nominal Voltage (VDC)	Nominal Current (mA)	Coil Resistance ($\pm 8\%$)	Power Consumption (W)	Pull-In Voltage (VDC)	Drop-Out Voltage (VDC)	Maximum Allowable Voltage (VDC)
SCH-14FD	3	176.5	17	Abt. 0.54	75% Maximum	10% Minimum	130%
	5	108.7	46				
	6	89.6	67				
	9	60	150				
	12	44.4	270				
	24	21.8	1100				
	48	11.2	4270				

Ordering Information

SCH - 14FD - 2C 12VDC - L S

Seal type: S

Coil Type: Blank :L:0.54W DC Coil

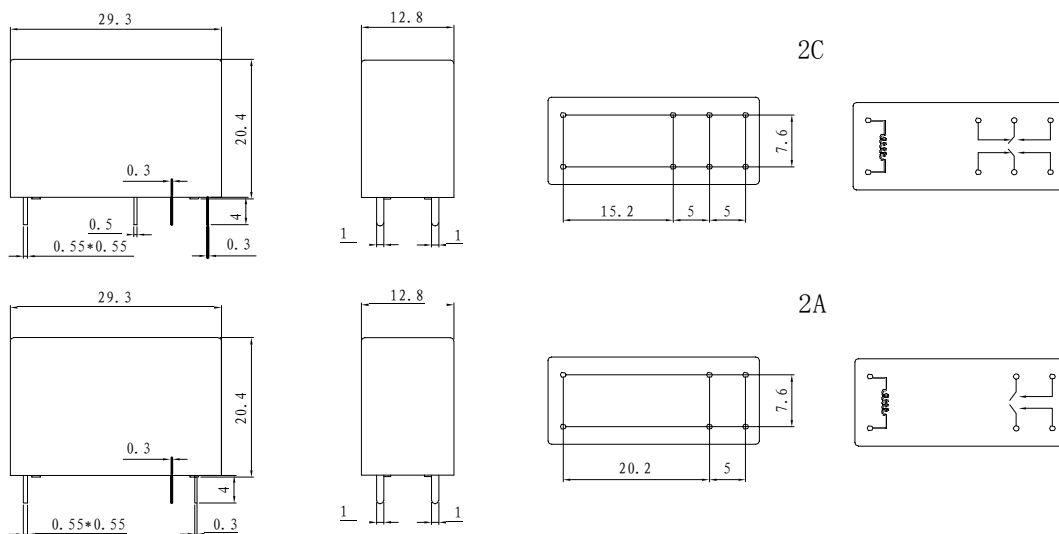
Coil Voltage:3:3V,5:5V,6:6V,9:9V12:12V,24:24V,48:48VDC

Number of Pole: 2A:Two Group NO, 1B:Two Group NC,1C:Two Group NC/NO

Model:14FD

Generic Terms: SCH

Dimensionx



(Dimension Tolerance) : <1mm: ± 0.2 mm
 1--5mm: ± 0.3 mm
 >5mm: ± 0.5 mm